



ZHEJIANG UNIU-NE Technology CO., LTD

浙江宇力微新能源科技有限公司



U3115C Data Sheet

V 1.3

版权归浙江宇力微新能源科技有限公司

Half-bridge of power MOSFET/IGBT Drive

General Description

The U3115C Fully operated to +350V is high voltage, high speed power MOSFET and IGBT driver with dependent high and low side referenced output channels.

The logic input is compatible with standard CMOS or LSTTL output, down to 3.3V logic. The output drivers feature a high pulse current buffer stage designed for minimum driver cross-conduction. The floating channel can be used to drive an N-channel power MOSFET or IGBT in the high side configuration which operates up to 350 volts.

Product Summary

V _{OFFSET}	350V
I _{O+/-}	1.0A / 1.2A
V _{CCon/off} (typ.)	4.5V & 4.2V
V _{Bon/off} (typ.)	5V & 4.9V
t _{on/off} (typ.)	450 & 150ns
Deadtime (typ.)	300 ns
Work Tem	-40 ~150 °C

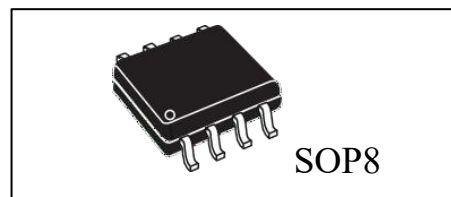
Key Features

- Integrated bootstrap Diode⁽¹⁾
- Floating channel designed for bootstrap operation
- Fully operational to +350V
- Tolerant to negative transient voltage dV/dt immune
- Gate drive supply range from 5 to 20V
- Undervoltage lockout
- 3.3V, 5V and 15V input logic compatible
- Cross-conduction prevention logic
- Matched propagation delay for both channels

Applications

- Home appliances
- Industrial applications and drives
- Motor drivers
- DC- AC Converter, PMDC and PMAC motors
- Induction heating
- HVAC

Packages

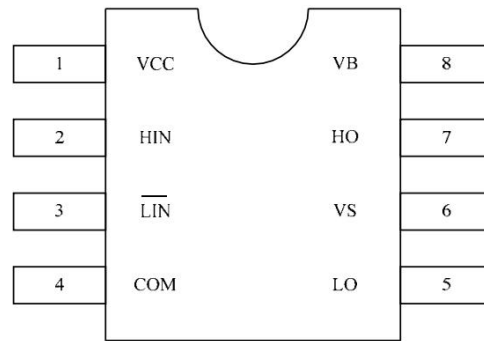


Product information

Base Part Number	Package Type	Standard OUT		V _{OFFSET}	Logic Control
		IO+	IO-		
U3115C	SOP8	1.0A	1.2A	350V	HIN & LIN

Note: (1) When using internal diode bootstrap power supply, please match the capacitor and MOS, and fully test and verify

Pin Assignments

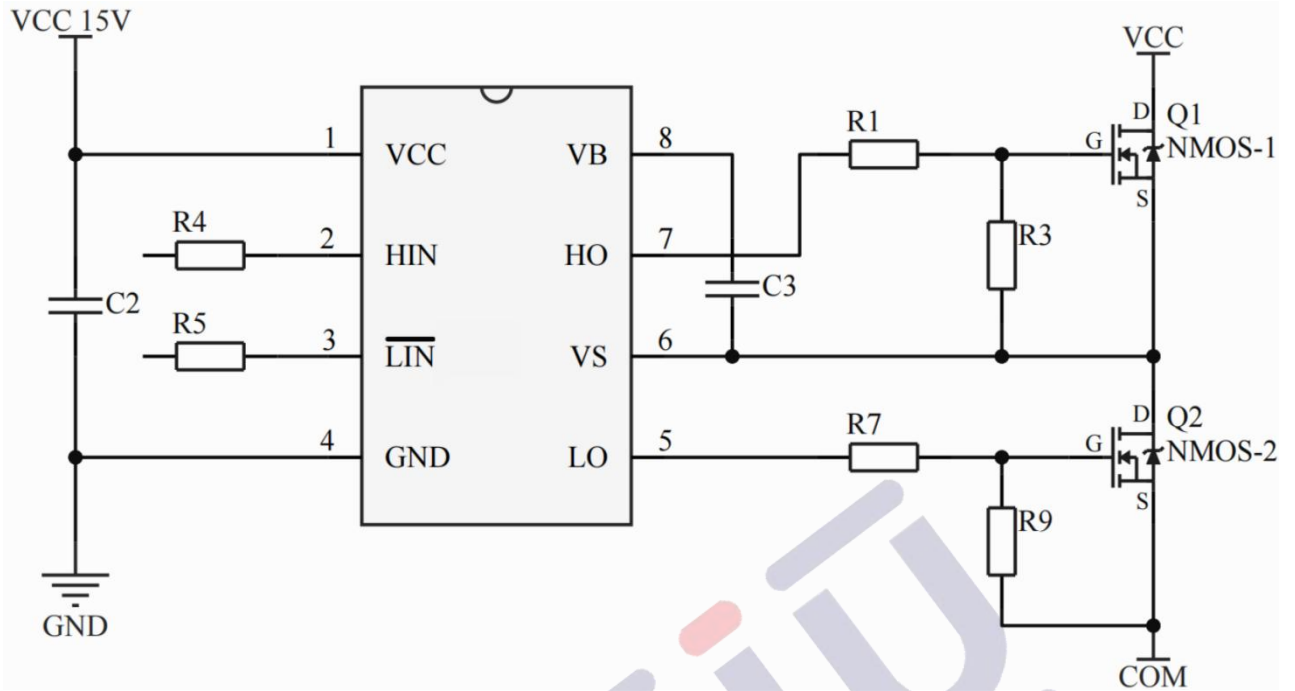


U3115C

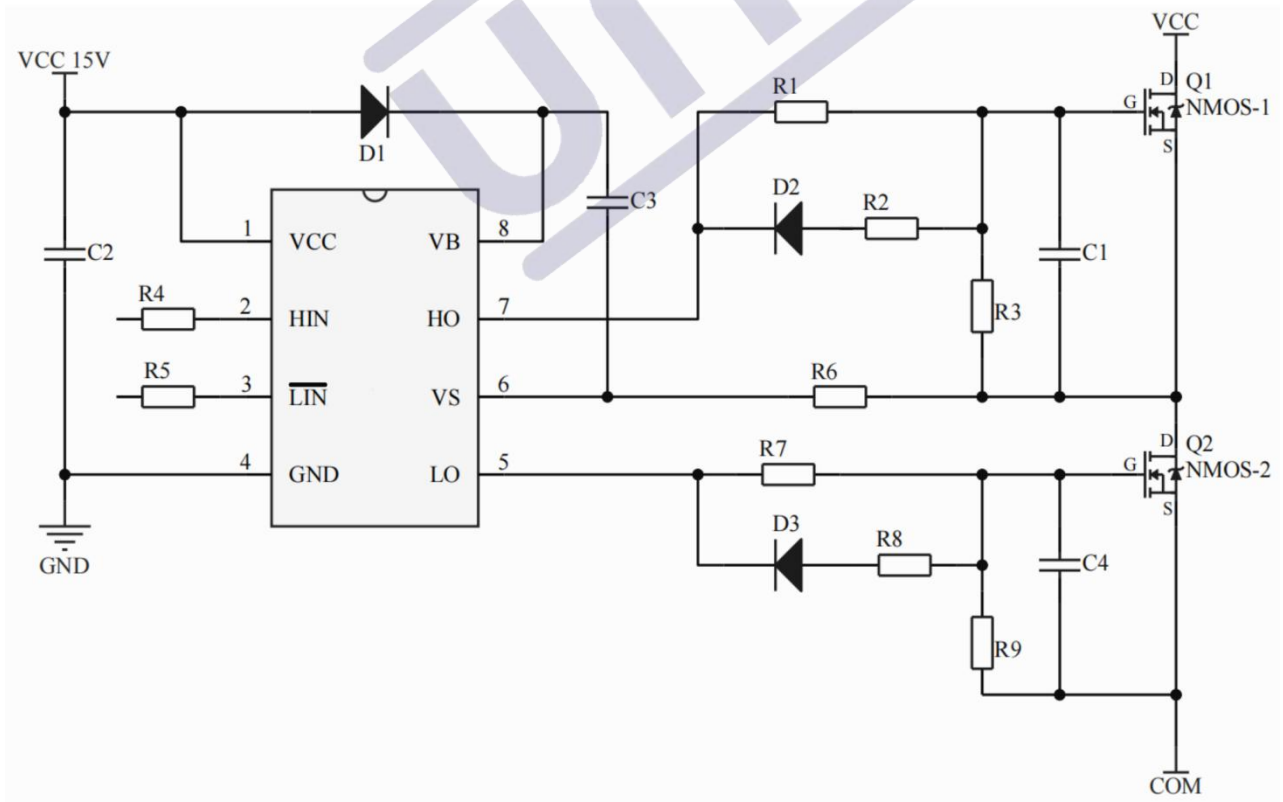
Pin Function

Number	Symbol	Type	Description
1	VCC	P	Low side and logic fixed supply
2	HIN	I	High side driver logic input (active high)
3	$\overline{\text{LIN}}$	I	Low side driver logic input (active low)
4	COM	P	Low side return
5	LO	O	Low side gate drive output
6	VS	P	High side floating supply return
7	HO	O	High side gate drive output
8	VB	P	High side floating supply

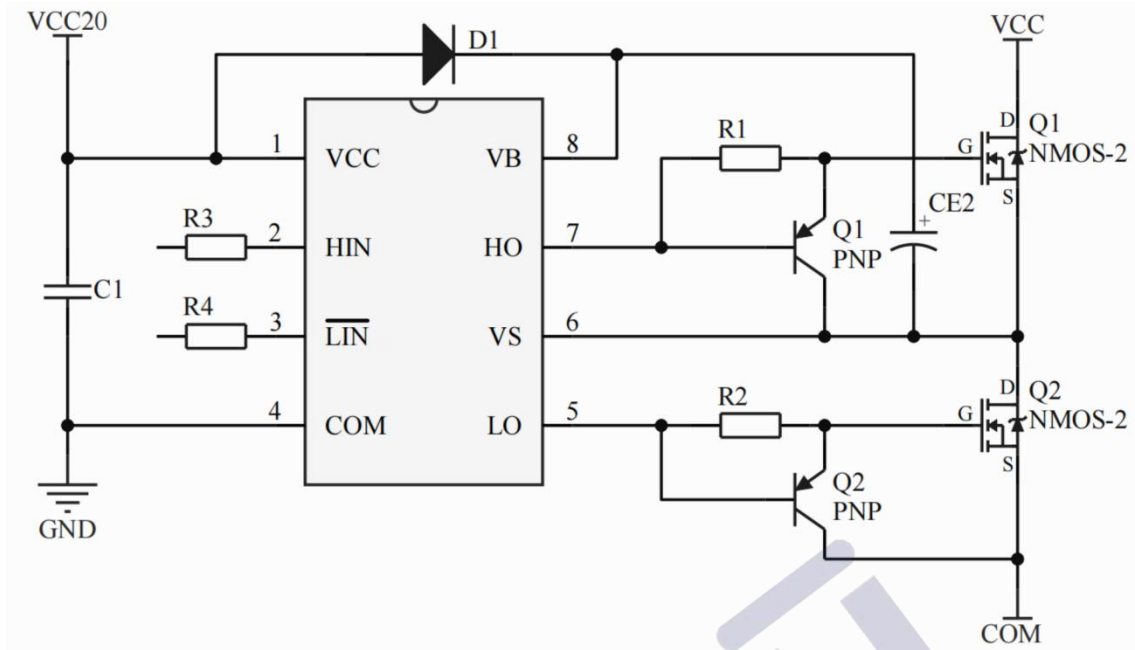
Typical Connection



Small power application



Typical application



Much Big POWER application

Note: The above circuits and parameters are for reference only. The actual application circuit should be designed with the measured results in setting the parameters

1、版本记录

DATE	REV.	DESCRIPTION
2020/04/19	1.0	首次发布
2023/07/10	1.1	优化延时、边沿时间及欠压保护
2023/10/25	1.2	增加内置二极管应用
2024/2/26	1.3	拆分U3115C和U3116C规格书

2、免责声明

浙江宇力微新能源科技有限公司保留对本文档的更改和解释权力，不另行通知！

客户在下单前应获取我司最新版本资料，并验证相关信息是否最新和完整。量产方案需使用方自行验证并自担所有批量风险责任。未经我司授权，该文件不得私自复制和修改。

产品不断提升，以追求高品质、稳定性强、可靠性高、环保、节能、高效为目标，我司将竭诚为客户提供性价比高的系统开发方案、技术支持等更优秀的服务。

版权所有 浙江宇力微新能源科技有限公司/绍兴宇力半导体有限公司

3、联系我们

浙江宇力微新能源科技有限公司

总部地址：绍兴市越城区斗门街道袍渚路25号中节能科创园45幢4/5楼

电话：0575-85087896（研发部）

传真：0575-88125157

E-mail:htw@uni-semic.com

无锡地址：江苏省无锡市锡山区先锋中路6号中国电子（无锡）数字芯城1#综合楼503室

电话:0510-85297939

E-mail:zh@uni-semic.com

深圳地址：深圳市宝安区西乡街道南昌社区宝源路泳辉国际商务大厦410

电话：0755-84510976

E-mail:htw@uni-semic.com